



(AN ISO 9001 – 2008)

# BHARAT MEDICAL SYSTEMS

**Contact Details:**

**+91-44-24516904**

**+91-44-24516539**

**+91-0-9444052532**

**+91-0-9840212531**

## QUOTATION FOR PHYSIOTHERAPY EQUIPMENTS

Dear Sir,

We have pleasure to state that BMS, is at par with international standards. BMS reassures its commitment to quality and reasonable price. So, BMS giving ONE YEARS WARRANTY to assure the quality of the products.

QUOTATION NUMBER: BMS/387/16-17

DATE : 30/09/16

CUSTOMER REF : By Mail



To,

The Corespondent,

M.S.Prema

Shaaron Special School

Email: shaaronspecialschool@gmail.com

SL.NO	DESCRIPTION	QTY	Product images & Accessories and Size: L X B X H in cm	UNIT PRICE (INR)
01.	C.P. Chair With Standing Frame	1 No		20,000
02	CP WALKLER	1 No	 CP Walker MS with Powdercoating	9,000
03	Rowing Machine	1 No		11,000

M-1074, 7<sup>th</sup> Main Road, Thiruvalluvar Nagar, Thiruvanmiyur, Chennai-41, India

Email: - bmsmadras@gmail.com, bmschennai@rediffmail.com




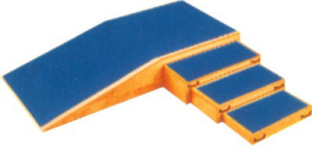

[www.physiotherapyequipmetn.in](http://www.physiotherapyequipmetn.in)




TIN No: 33570922830/ 01-02

CST No: 769201 / dt. 22-5-01

Area Code 047

I.E. Code No: 0404013074

04	<b>Parallel Bar without Mirror</b> <ul style="list-style-type: none"> <li>• Width – 2 Feet</li> <li>• Height can be adjusted From 2 ¼ feet to 3 ½ feet</li> </ul>	1 No 1 No 1 No	Length – 8 Feet  	<b>14,800</b>
05	<b>Finger Ladder</b>	1 No		<b>1,800</b>
06	<b>Hand Gym Kit Board</b>	1 No		<b>4,000</b>
07	<b>Pedocycle</b>	1 No	 Ped-O-Cycle	<b>4,500</b>
08	<b>CRUBS &amp; RAMPS</b>	1 No	 Crubs & Ramp	<b>26,000</b>
09	<b>Quadriceps Table with Backrest</b>	1 No		<b>8,200</b>

10	Shoulder wheel – steel	1 No		5,500
11	Over Head Pulley	1 No		1,800
12	Finger Exerciser	1 No	 Finger Exercise	1200
13	Shoulder Exercise with supinator & pronator	1 No		3,500
14	Tread Mill	1 No		<u>45,000</u>
15	Wheel Chair	2 No		13,000
	<b>Sub Total:</b>			<b>1,69,300</b>
	<b>Tax: VAT@5%</b>			<b>8,465</b>
	<b>Total</b>			<b><u>1,77,765</u></b> -----

## **TERMS & CONDITIONS**

- 1. Packaging Charges : At Our Cost**
- 2. Forwarding Charges : At your cost**
- 3. Mode of Payment : 100% Advance with Firm order**
- 4. Dispatch : with in 15 days**
- 5. Guarantee : 12 Months from the date of supply against manufacturing defects only (Warranty is not applicable for the accessories )**
- 6. Jurisdiction : Chennai, INDIA Only.**

### **Our Bank Details**

**Account Name : Bharat Medical Systems**  
**Name of the bank : Indian Overseas Bank**  
**Account no : 147202000000125**  
**Branch : Valmigi nagar, Chennai-41**  
**Bank IFSC code no : IOBA0001472**  
**Bank Swift code no : IOBAINBB001**

**Yours Truly**  
**For Bharat Medical Systems**

**Mr.Balasubramanian**  
**CEO**